



LIGHTING REVOLUTIONIZED

HRP307

RGB Data Repeater

www.CYRON.com


info@cyron.com

Thank you for purchasing CYRON HRP307
RGB Data Repeater.


Contents

1x HRP307

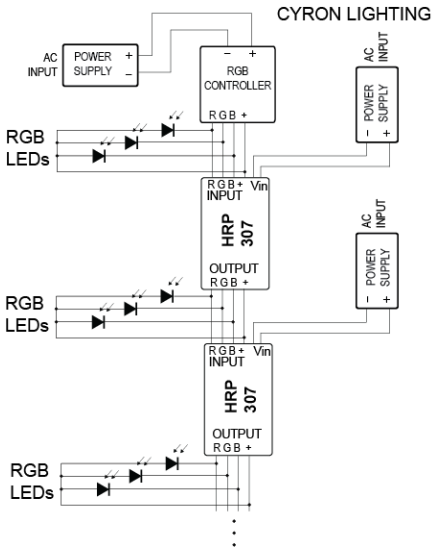
Installations

 Make sure the overall system is planned properly without exceeding any of the product voltage/current ratings.

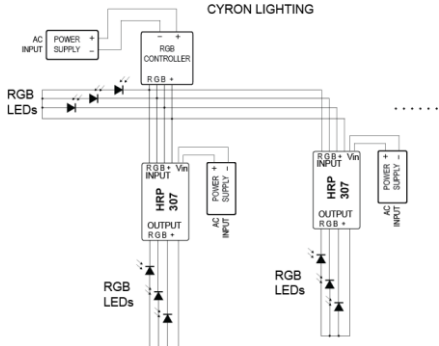
The input can accept any PWM signal from CYRON RGB controllers. For ease of connectivity terminal blocks are provided for all connections. Additionally, Plug&play to Media Highlighter controller ports can be achieved by accessory part no. HTPLG1. Connect all RGB input and output connections before powering up the HRP307. Secure the unit in place using screws. For proper ventilation minimum one cubic foot space required when operating at more than 50% maximum power.

 It is important to use proper wire gauge for high current connections. Pay close

attention to output wires to avoid shorting out the connections. Sever damage will occur.



CYRON LIGHTING



NOTE:

ALL POWER SUPPLIES CAN BE COMBINED INTO ONE MAIN POWER SUPPLY

Specifications

Working Temp:	-20°C to 60°C
Environment:	Indoor Installations
Supply Voltage:	12-24VDC
Output Current:	3x8A nominal 3x10A peak
Net Weight:	5oz (130g)
Dimensions:	5" x 2.5" x 1" LxWxH (128 x 63 x 23mm)
Output Protection:	None
Input Signal:	PWM 3-channel
Input rating:	7-24V, 10mA