



LIGHTING REVOLUTIONIZED

9439 IRONDALE AVE., CHATSWORTH, CA 91311 USA www.cyron.com

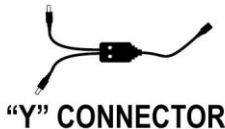
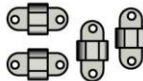
Media Highlighter™ SCP Lightbars
SCP B242 / SCP B152

Thank you for purchasing *CYRON Media Highlighter™ PRO* series. Please follow all the steps to assure proper installation and optimum usage of your system.

Contents

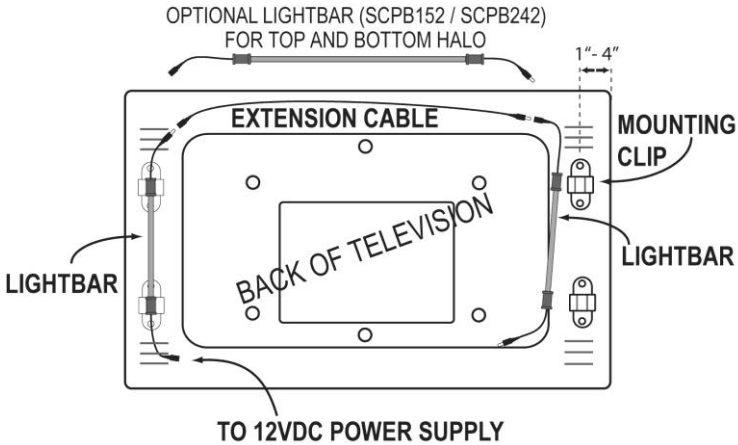
Please locate all system components.

- 2 X Lightbars
- 1 X Extension Cable
- 1 X “Y” Connector
- 4 X Mounting Clips
- 8 X Mounting Screws
- Two-sided Tape



___Installations___

1 **Lightbar Installation** Follow the same installation procedure as the SCP system.

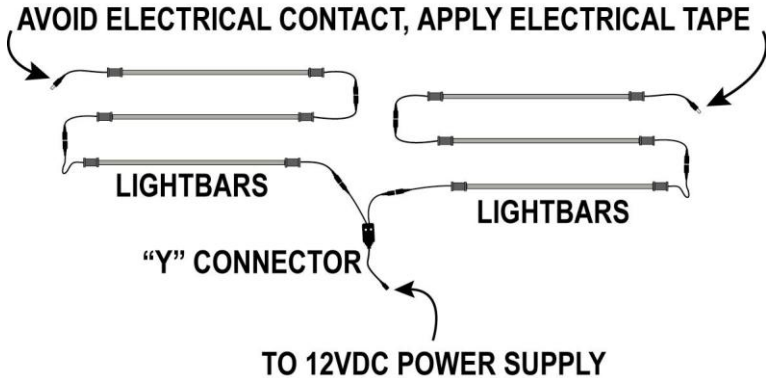


2 **Wiring** Lightbars can be connected in series as shown in the wiring diagram. It is recommended to use no more than three lightbars in series to avoid dimming down the line.

Six lightbars can be connected to a single power supply using one "Y" connector. No more than two "Y" connectors can be combined.

CAUTION: Use proper power supply for large systems containing several lightbars. Calculate total system power rating as indicated in the specifications chart below to select proper power supply. Never exceed power supply ratings.

3 **Extension** Connect extension cables as needed.



___ Technical Support ___

techsupport@cyron.com
818-772-1900 x106

___ Specifications ___

	SCP2402 PRO	SCP1502 PRO	Sizes(inches) / Notes
<i>Application</i>	>50" screens Accent, Cove, Large applications	>42" screens Accent, Cove, Large applications	Television Backlighting, Video Biasing, Monitors, Cabinets, Racks, Coves, Crown molding
<i>Output Color</i>	SCPxx02W: D65 White SCPxx02B: Blue		D65: 6500K +7% / -3%
<i>Switch</i>	On/Off switch, Manual		3/4 (W) x 2 1/2 (L) x 5/8 (H)
<i>Connections</i>	2.1mm Male & Female Power plugs Daisy chain maximum six per standard power supply		5 foot extension cord included
<i>Power Supply</i>	100-240VAC, 60Hz, 30W	100-240VAC, 60Hz, 18W	Switching Power Supply cUL Approved
<i>Lightbars</i>	2 x 24" 90 Ultrabright SMD LEDs, 120 degrees light dispersion, Increased light output	2 x 15" 54 Ultrabright SMD LEDs, 120 degrees light dispersion, Increased light output	9": 9 1/8(L) x 5/8(D) 15": 15(L) x 5/8(D) 24": 24 1/2(L) x 5/8(D) 3/4(D) with plastic clips 7/16 clear lens diameter 1 1/16 end cap length
<i>Power, Nominal</i>	8W	6W	*Varies depending on mode
<i>Accessories & Options</i>	SCPB242W: 2x24" PRO Lightbar D65W SCPB242B: 2x24" PRO Lightbar Blue SCPB152W: 2x15" PRO Lightbar D65W SCPB152B: 2x15" PRO Lightbar Blue PS-30SP12D: 30W Power supply PS-50SP12D: 50W Power supply		All power supplies are Switching type, 100-240VAC 60Hz input, 12VDC output, cUL listed SCPBxxxx includes 5 foot extension cord and "Y" connector

Warranty

CYRON warrants this product against any defects in materials or workmanship for a period of ONE (1) year from the date of purchase. The warranty covers normal usage as intended by the factory and does not cover misuse, abuse, accidents, or damages caused due to the acts of God. Proof of purchase is required.

ANY IMPLIED WARRANTIES, INCLUDING WITHOUT LIMITATION THE IMPLIED WARRANTIES OF MERCHANTABILITY AND FITNESS FOR A PARTICULAR PURPOSE, SHALL BE LIMITED TO THE DURATION OF THIS LIMITED WARRANTY, OTHERWISE THE REPAIR, REPLACEMENT, OR REFUND AS PROVIDED UNDER THIS EXPRESS LIMITED WARRANTY IS THE EXCLUSIVE REMEDY OF THE CONSUMER, AND IS PROVIDED IN LIEU OF ALL OTHER WARRANTIES, EXPRESS OR IMPLIED. IN NO EVENT SHALL CYRON, INC. BE LIABLE, WHETHER IN CONTRACT OR TORT (INCLUDING NEGLIGENCE) FOR DAMAGES IN EXCESS OF THE PURCHASE PRICE OF THE PRODUCT, ACCESSORY OR FOR ANY INDIRECT, INCIDENTAL, SPECIAL OR CONSEQUENTIAL DAMAGES OF ANY KIND, OR LOSS OF REVENUE OR PROFITS, LOSS OF BUSINESS, OR OTHER FINANCIAL LOSS ARISING OUT OF OR IN CONNECTION WITH THE ABILITY OR INABILITY TO USE THE PRODUCTS OR ACCESSORIES TO THE FULL EXTENT THESE DAMAGES MAY BE DISCLAIMED BY LAW.

Some states and jurisdictions do not allow the limitation or exclusion of incidental or consequential damages, or limitation on the length of an implied warranty, so the above limitations or exclusions may not apply to you. This warranty gives you specific legal rights, and you may also have other rights that vary from state to state or from one jurisdiction to another.



Please mail all warranty claims to:
CYRON, Inc.
HT Warranty Claim
9439 Irondale Ave.
Chatsworth, CA 91311 USA

Further warranty inquiries: warranty@cyron.com